

HCS890/895

www.asia.security.honeywell.com

High Resolution DNR Color Camera

Honeywell HCS890/895 box cameras adopt Honeywell proprietary superior digital signal processor (DSP)-icore™, which is developed basing on Honeywell's enriched and professional video surveillance knowledge to produce outstanding image. The HCS/890, 895 cameras are equipped with software day/night and digital noise reduction function, which make camera performs extremely excellent in low illumination circumstances. Wide dynamic range overcomes natural light limitation, provides clear picture where illumination contrast is very large. Enhanced back light compensation functionality optimizes exposure in various back light conditions. Motion detection and privacy masking provides further protection to surveillance management system.

With great quality hi-resolution video HCS890/895 box cameras are suitable for different occasions including indoor and outdoor. Setup is quick and simple, on-screen display and multiple languages supported.

Market Opportunities

Honeywell HCS890/895 box cameras are designed for general cost-effective, high-resolution surveillance applications where a color image and object identification and recognition are required. Combined with the environmental housing HCS890/895 cameras are excellent fitted at general indoor and outdoor surveillance applications, such as institutions, financials, offices, parking lots, building entranceways and driveways.

FEATURES

- 1/3" CCD with icore™ DSP
- 540 TV Lines of high resolution
- Enhanced backlight compensation with WDR, BMB
- Minimum illumination 0.001Lux
- Enhanced functions with DSP, Digital Noise Reduction, PIP(picture in picture), Quad View, Mirror, Digital Zoom
- Multi-language OSD, Motion detection, Privacy masking
- Dual power version available (HCS895X)



HCS890/895

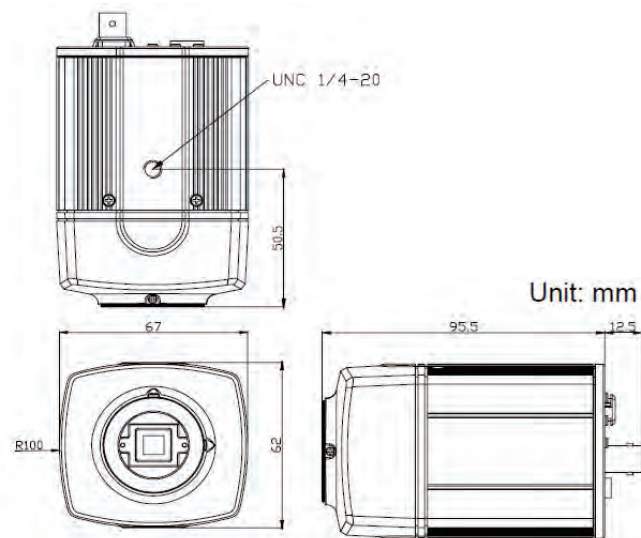
www.asia.security.honeywell.com

High Resolution DNR Color Camera

SPECIFICATIONS

Model	HCS890	HCS890X	HCS895X
Video Standard	NTSC	PAL	
Image Sensor	1/3" Interline Transfer CCD		
Effective Pixels	768 (H) x 494 (V)	752 (H) x 582 (V)	
Horizontal Resolution	540 TV lines		
Minimum illumination	1 lx (50IRE) 0.01 lx (DSS)	1 lx (50IRE) 0.01 lx (DSS)	1 lx (50IRE) 0.01 lx (DSS)
Video Output	1.0 V p-p, 75 Ohms		
Synchronization	Internal		
S/N Ratio (dB)	>50 dB		
Auto Gain Control (AGC)	0-36dB		
AES (sec)	1/60 - 1/100,000 sec	1/50 - 1/100,000 sec	
Lens Control	DC / VSD		
White Balance	AWC/ATW/MANUAL/IN/OUT		
Power Source	12 VDC (10 - 14VDC)	12VDC/24VAC (Dual Power)	
Power Consumption	Approx. 2.5 W		
Operation Temperature	-10°C to 55°C		
Dimensions (W x H x L)	67 mm x 62 mm x 95.5 mm		
Weight	192g (Camera Only)		
Lens Mount	CS mount		
Certification	CE, FCC		

DIMENSIONS

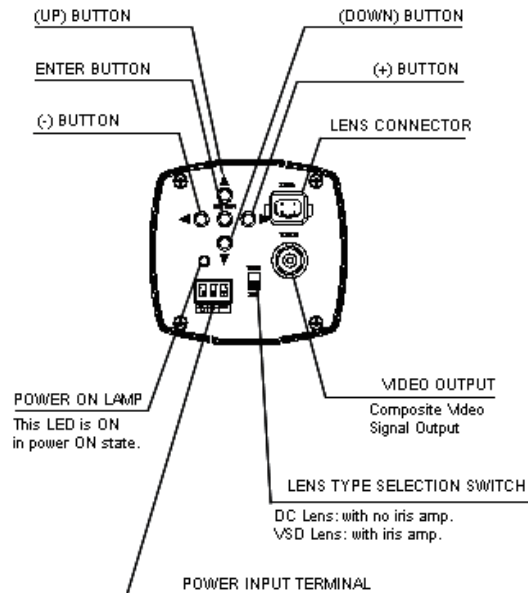


HCS890/895

www.asia.security.honeywell.com

High Resolution DNR Color Camera

CONNECTIONS



ORDERING

HCS890	1/3" CCD, High-Resolution Color Camera with DSP, 540 TVL, SDN, WDR, 12 VDC, NTSC
HCS890X	1/3" CCD, High-Resolution Color Camera with DSP, 540 TVL, SDN, WDR, 12 VDC, PAL
HCS895X	1/3" CCD, High-Resolution Color Camera with DSP, 540 TVL, SDN, WDR, 12 VDC/24VAC, PAL

For more information:

Security Asia Pacific Headquarters
Security Australia
Security Australia National Sales Hotline
Security China
Security China Customer Service Hotline

Tel: (86) 21-2219 6888
Tel: (61) 2-9353 7000
Tel: 1300 765 532
Tel: (86) 21-5257 4568
Tel: 400-8800-330

Security Hong Kong Tel: (852) 2405 2323
Security India Tel: (91) 124 4029800
Security Korea Tel: (82) 2-799 6130
Security Singapore Tel: (65) 6333 9563
Security Taiwan Tel: (886) 2-2245 1000

www.asia.security.honeywell.com
security.ap@honeywell.com

Honeywell Security Group
Automation & Control Solutions
Honeywell International Inc.
www.security.honeywell.com

Nov 2009
© 2009 Honeywell International Inc.